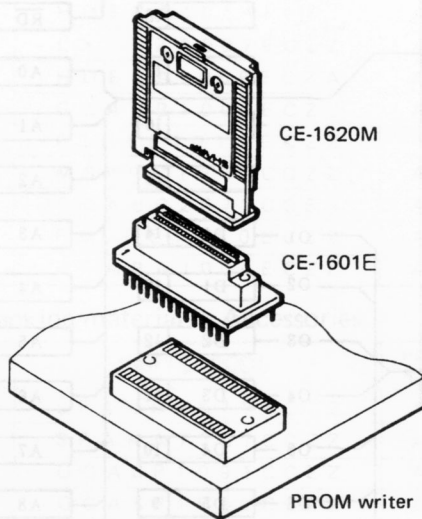


CODE: 00ZCE1620MSME



## CE-1620M MODEL CE-1601E

- PROM Module and PROM Interface

### 1. INTRODUCTION

- The CE-1620E is a 32 KB PROM module to be used in the PC-1600 Pocket Computer. For only a single chip of the PROM is mounted on the board, it may not require to replace the PROM chip only. To troubleshoot a failure in the PROM, replace the whole unit. Note that the program stored in the PROM will be lost, then.
- To trouble shoot a failure in the CE-1601E, replace the whole unit.

### 2. SPECIFICATIONS

Model : CE-1620M (32KB PROM Module)  
 Operating temperature : 0°C ~ 40°C  
 Physical dimension : 40.9 mm x 42.8 mm x 8.5 mm  
 Appox : 12g  
 Accessories : Case, space cover, instruction book

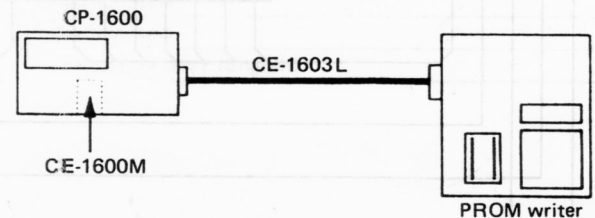
Model : CE-1601E  
 Type : Interface  
 External Dimensions : 21 mm(W) x 40 mm(D) x 21 mm(H)  
                               : 13/16"(W) x 1-9/16"(D) x 13/16"(H)  
 Weight : Approximately 10g (0.02 lbs)  
 Accessories : Operation Manual

Note: The socket capacity (number of times connection and be made) is approximately 500.

### 3. WRITING A PROGRAM INTO THE CE-1620M

(Necessary equipment)

Portable computer : PC-1600  
 Program module : CE-1600M (32 K RAM module)  
 Connection cable : CE-1603L (for RS-232C terminals)  
 PROM writer : DATA I/O Model 29B or Model 22, 201  
 Writing interface : CE-1601E  
 PROM module : CE-1620M



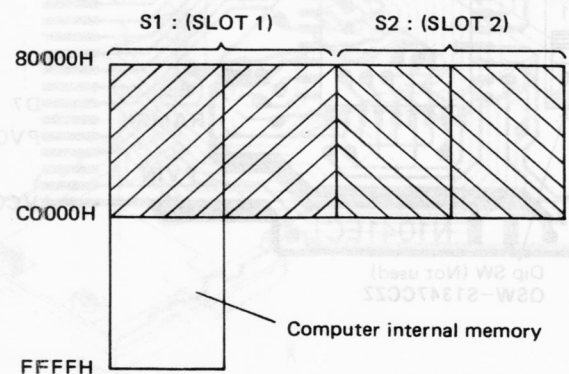
Set the PROM writer in accordance with Fujitsu 27C256. This setting will provide a writing voltage (Vpp) of 21V.

(About the procedure to write a program into the CE-1620M, see the instruction book of the CE-1620M.)

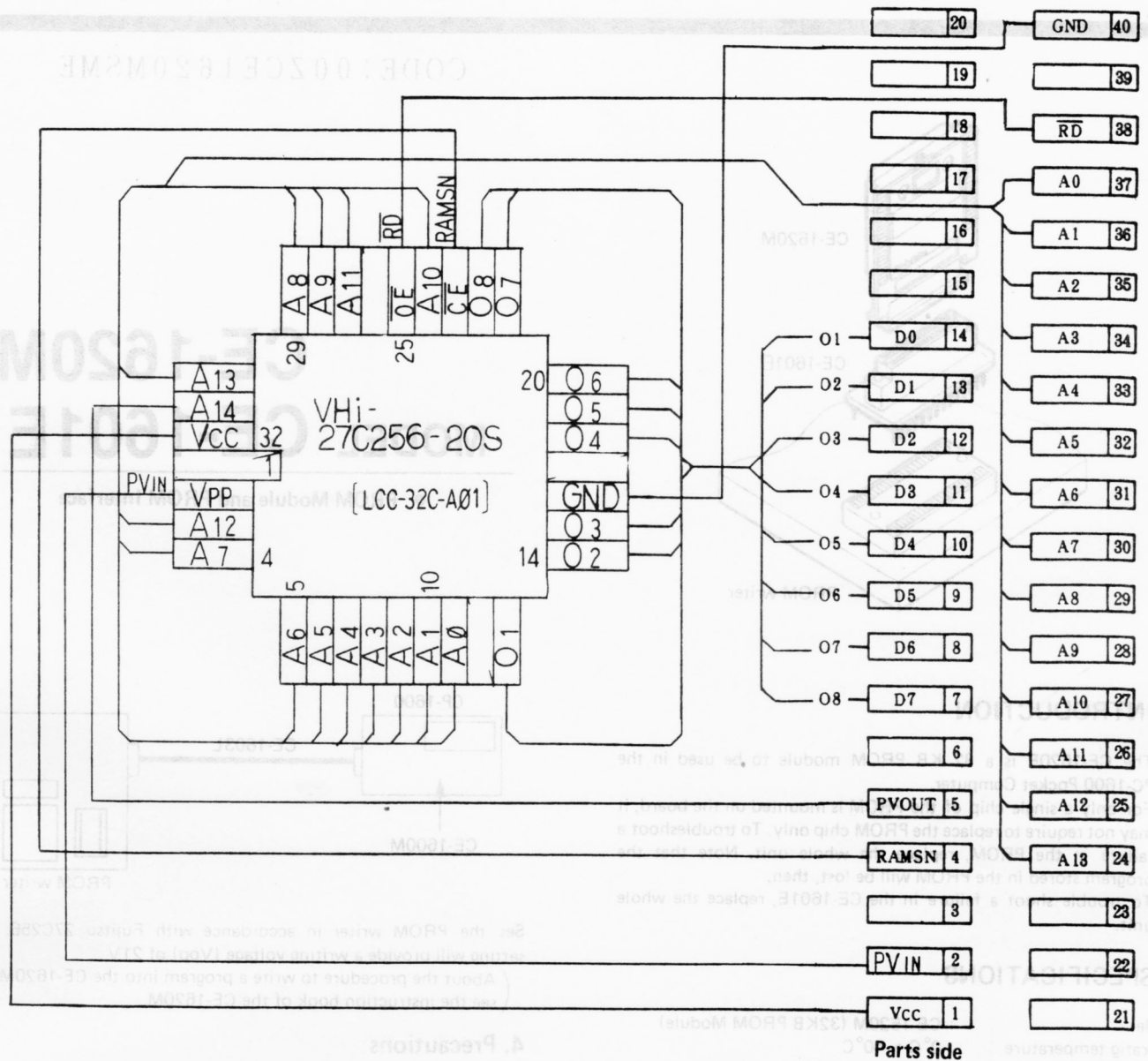
### 4. Precautions

- When the BATT sign came active on the PC-1600 display, the unit has to be promptly connected with the ac adaptor or the battery cells have to be replaced with fresh ones.
- See the PC-1600 Instruction Book for replacement procedure of battery cells.
- Pay attention for static when handling the module as it may likely to destruct an internal circuit. Before handling the module, touch a metallic portion of a door knob, or a desk to release static charge in your body. Never touch the module terminals.

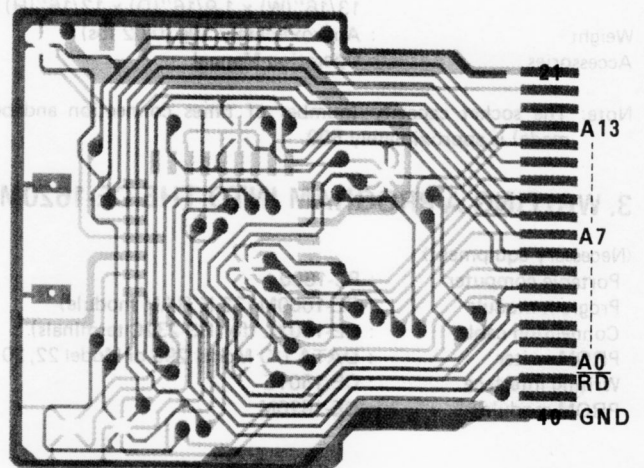
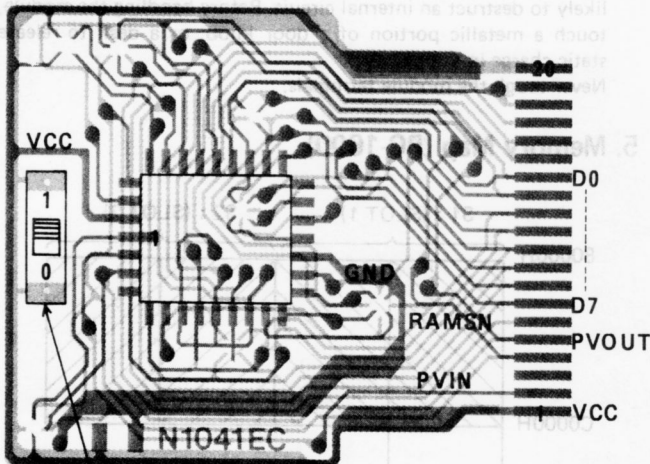
### 5. Memory Map (PC-1600)



### 6. CE-1620M Circuit Diagram



### 7. CE-1620M Parts & Signal Description



Dip SW (Not used)  
QSW-S1347CCZZ

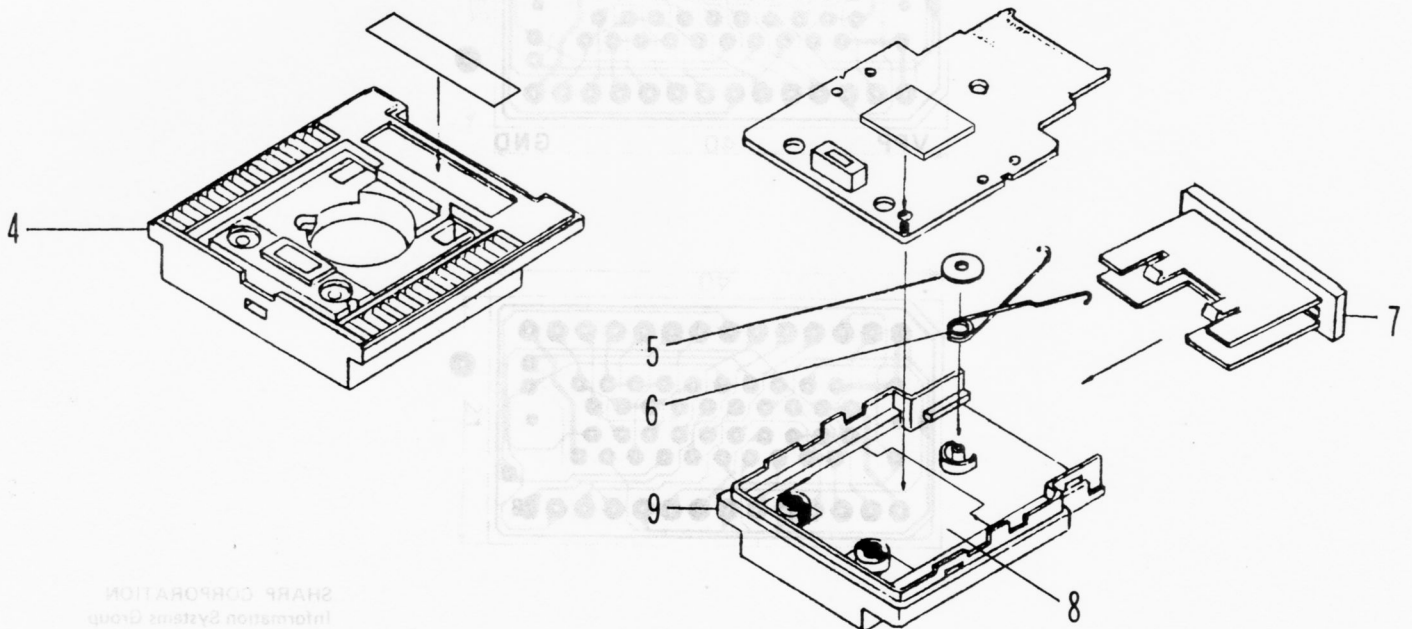
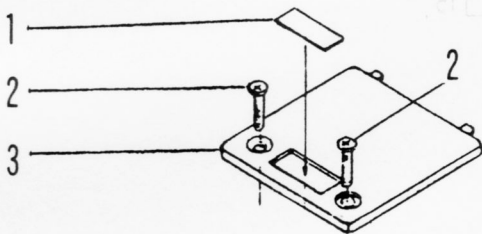
## 8. CE-1620M Parts List & Guide

### 1 Exteriors

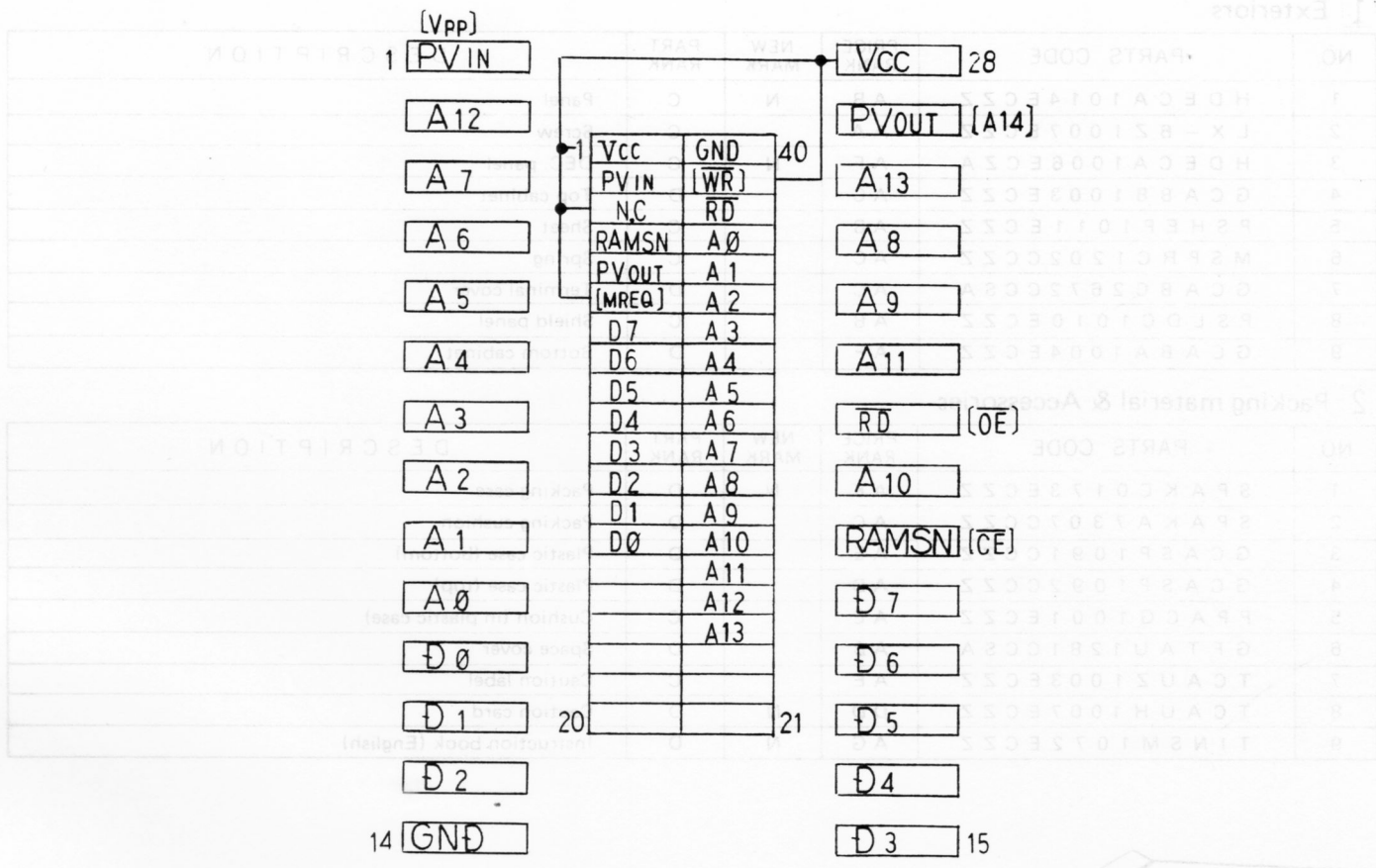
NO.	PARTS CODE	PRICE RANK	NEW MARK	PART RANK	DESCRIPTION
1	HDECA1014ECZZ	AB	N	C	Panel
2	LX-BZ1007ECZZ	AA		C	Screw
3	HDECA1006ECZA	AF	N	C	DEC. panel
4	GCABB1003ECZZ	AC		D	Top cabinet
5	PSHEP1011ECZZ	AB		C	Sheet
6	MSPRC1202CCZZ	AC		C	Spring
7	GCABC2672CCSA	AC		D	Terminal cover
8	PSLDC1010ECZZ	AB		C	Shield panel
9	GCABA1004ECZZ	AF		D	Bottom cabinet

### 2 Packing material & Accessories

NO.	PARTS CODE	PRICE RANK	NEW MARK	PART RANK	DESCRIPTION
1	SPAKC0173ECZZ	AK	N	D	Packing case
2	SPAKA7307CCZZ	AC		D	Packing cushion
3	GCASP1091CCZZ	AE		D	Plastic case (bottom)
4	GCASP1092CCZZ	AD		D	Plastic case (top)
5	PPACG1001ECZZ	AE		C	Cushion (in plastic case)
6	GFTAU1281CCSA	AB		D	Space cover
7	TCAUZ1003ECZZ	AE		C	Caution label
8	TCAUH1007ECZZ	DD	N	D	Caution card
9	TINSM1072ECZZ	AG	N	D	Instruction book (English)



9. CE-1601E Circuit Diagram



10. CE-1601E signal Description

